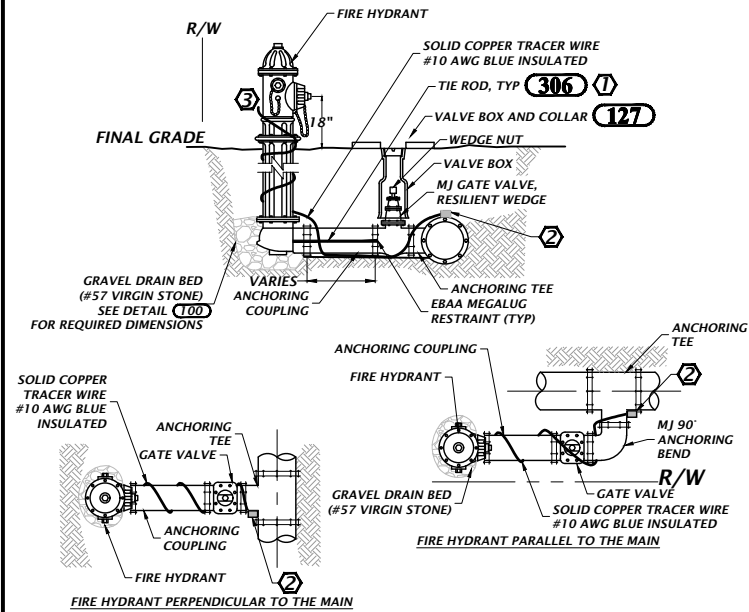


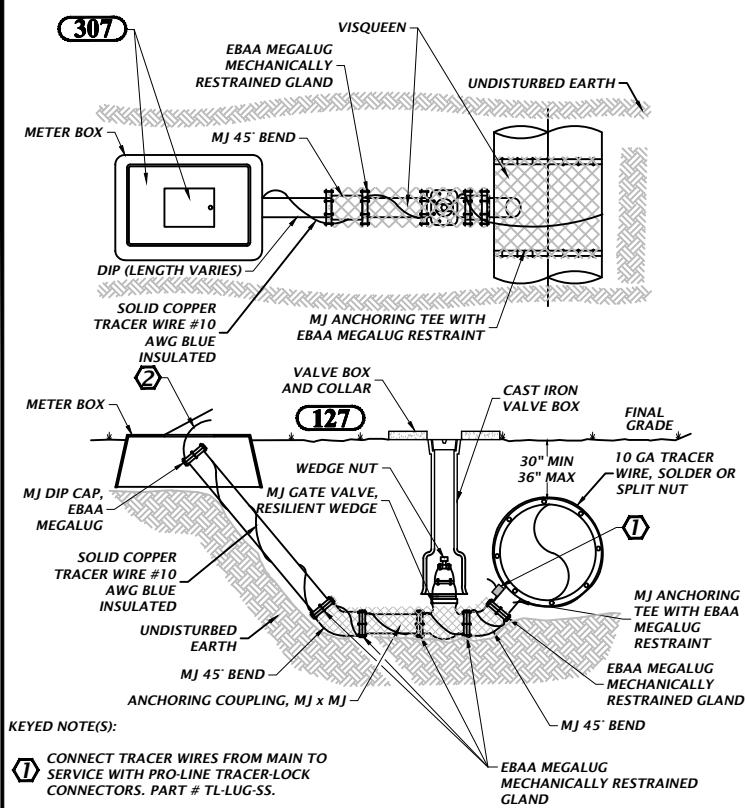
- GENERAL NOTE(S):
1. RESTRAIN MINIMUM OF 58' OF PIPE.
- KEYED NOTE(S):
- 1 PROVIDE TIE RODS FOR DUAL RESTRAINT AND AS PER 306.
 - 2 EXTEND TRACER WIRE AT LEAST 8-INCHES ABOVE GRADE.

100 FIRE HYDRANT (DEAD END)
NTS



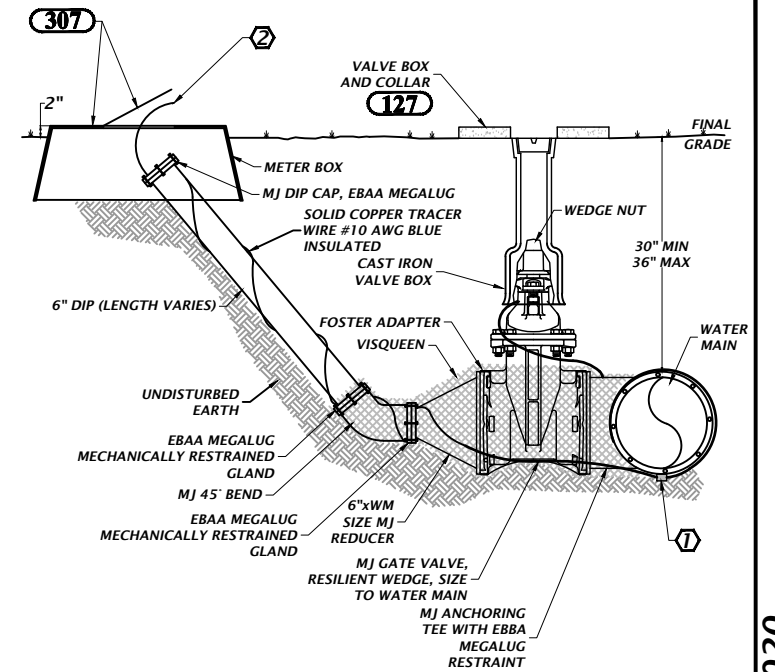
- KEYED NOTE(S):
- 1 PROVIDE TIE RODS FOR DUAL RESTRAINT AND AS PER 306.
 - 2 CONNECT TRACER WIRES FROM MAIN TO SERVICE WITH PRO-LINE TRACER-LOCK CONNECTORS. PART # TL-LUG-SS.
 - 3 EXTEND TRACER WIRE AT LEAST 8-INCHES ABOVE GRADE.

103 FIRE HYDRANT (PERPENDICULAR/
PARALLEL TO MAIN)
NTS



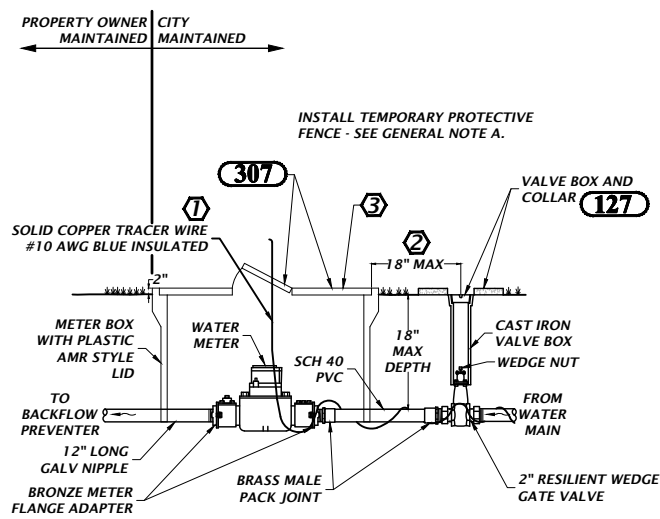
- KEYED NOTE(S):
- 1 CONNECT TRACER WIRES FROM MAIN TO SERVICE WITH PRO-LINE TRACER-LOCK CONNECTORS. PART # TL-LUG-SS.
 - 2 PROVIDE ENOUGH TRACER WIRE SO IT CAN EXTEND AT LEAST 8-INCHES ABOVE METER BOX.

106 2" AND 3" BLOW OFF ASSEMBLY
NTS



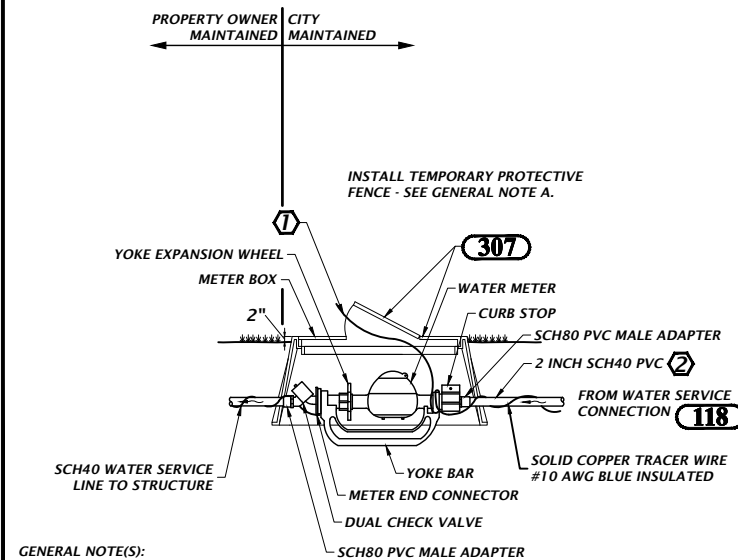
- KEYED NOTE(S):
- 1 CONNECT TRACER WIRES FROM MAIN TO SERVICE WITH PRO-LINE TRACER-LOCK CONNECTORS. PART # TL-LUG-SS.
 - 2 PROVIDE ENOUGH TRACER WIRE SO IT CAN EXTEND AT LEAST 8-INCHES ABOVE METER BOX.

109 6" BLOW OFF ASSEMBLY
NTS



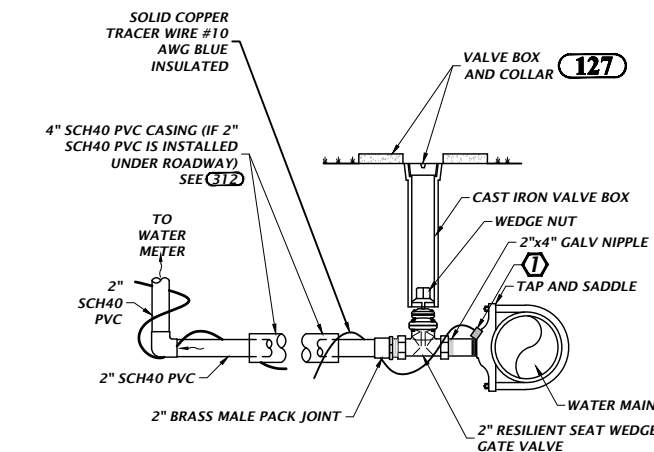
- GENERAL NOTE:
- A. DURING CONSTRUCTION, PROVIDE TEMPORARY PROTECTIVE FENCE AROUND METER AS PER 324.
- KEYED NOTE(S):
- 1 PROVIDE ENOUGH TRACER WIRE SO IT CAN EXTEND AT LEAST 8-INCHES ABOVE METER BOX.
 - 2 PROVIDE ENOUGH SPACE FOR INSTALLING VALVE BOX COLLAR
 - 3 PROVIDE JUMBO 2-INCH METER BOX

112 1 1/2" AND 2" METER ASSEMBLY
NTS



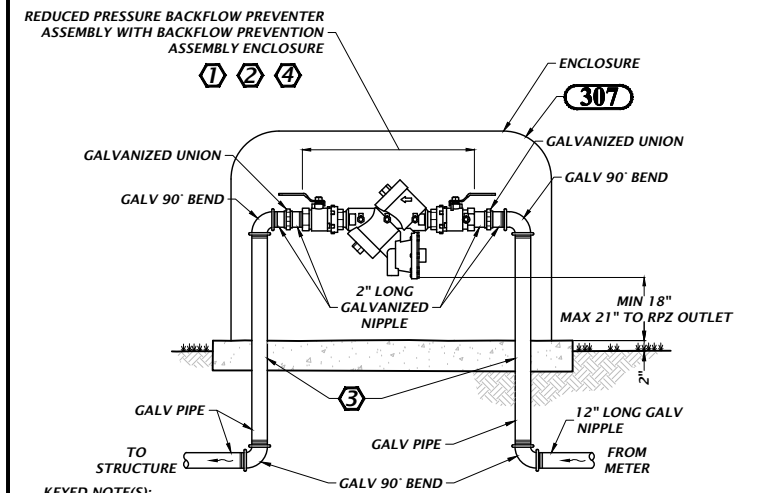
- GENERAL NOTE(S):
- A. DURING CONSTRUCTION, PROVIDE TEMPORARY PROTECTIVE FENCE AROUND METER AS PER 324.
- B. CONNECT TRACER WIRES WITH PRO-LINE TRACER-LOCK CONNECTORS. PART # TL-LUG-SS.
- KEYED NOTE(S):
- 1 PROVIDE ENOUGH TRACER WIRE SO IT CAN EXTEND AT LEAST 8-INCHES ABOVE METER BOX.
 - 2 PROVIDE 2x1 (or 3/4) INCH REDUCING BUSHING SCH 80 PVC SPIGOT X SOCKET TO CONNECT TO CURB STOP.

115 3/4" AND 1" WATER METER ASSEMBLY
NTS



- KEYED NOTE(S):
- 1 CONNECT TRACER WIRES FROM MAIN TO SERVICE WITH PRO-LINE TRACER-LOCK CONNECTORS. PART # TL-LUG-SS.

118 2" WATER SERVICE CONNECTION
NTS



- KEYED NOTE(S):
- 1 PROVIDE BACKFLOW PREVENTION ASSEMBLY ENCLOSURE. COORDINATE WITH VENDOR TO SELECT ENCLOSURE SIZE SUITABLE FOR INSTALLED BACKFLOW PREVENTER ASSEMBLY.
 - 2 ENCLOSURE VENDOR AND FEATURES:
 - MARINE GRADE ALUMINUM
 - 1.5 INCH INSULATION, 9.0 R VALUE
 - MEANS TO ACCESS ASSEMBLY
 - LOCKABLE
 - MOUNTING HARDWARE
 - COLOR: TAN, UNLESS OTHERWISE NOTED.
 - VENDORS: SAFE T COVER, NASHVILLE, TN; OR EQUAL
 - 3 POUR CONCRETE PAD WITH DIMENSIONS AS PER VENDOR'S RECOMMENDATIONS. MINIMUM THICKNESS OF 4 INCHES.
 - PROVIDE SLEEVES AROUND PIPING
 - 4 BACKFLOW PREVENTER FURNISHED, INSTALLED AND MAINTAINED BY PROPERTY OWNER, NOT COA.

121 3/4" TO 2" BACKFLOW PREVENTER AND ENCLOSURE
NTS