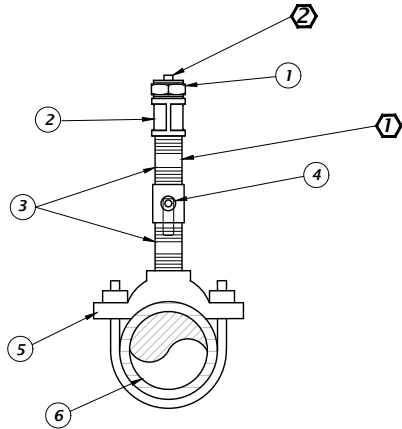




GENERAL NOTE(S):

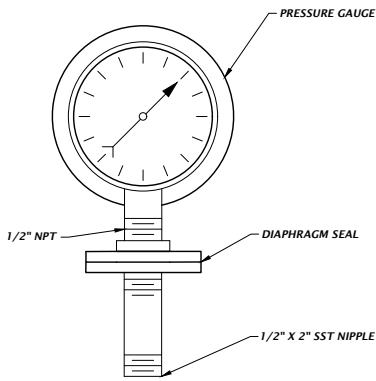
- SEE (236) FOR PRESSURE GAUGE ASSEMBLY.

- KEY NOTE(S):
- INSTALL NIPPLE OF SUFFICIENT LENGTH SO NEITHER PRESSURE GAUGE ASSEMBLY NOR FITTINGS WILL INTERFERE WITH BALL VALVE HANDLE.
 - FOR TEMPORARY GAUGE ASSEMBLY INSTALLATION, REMOVE PLUG AND FASTEN ASSEMBLY.



MATERIALS	
ITEM	DESCRIPTION
1	1/2" SST PLUG FITTING
2	1/2" FE X FE SST COUPLING
3	1/2" X 4" SST NIPPLE
4	1/2" SST BALL VALVE (WITH SST HANDLE AND SST NUTS)
5	1/2" SST DOUBLE STRAP TAPPING SADDLE
6	DUCTILE IRON PIPE (SIZE VARIES)

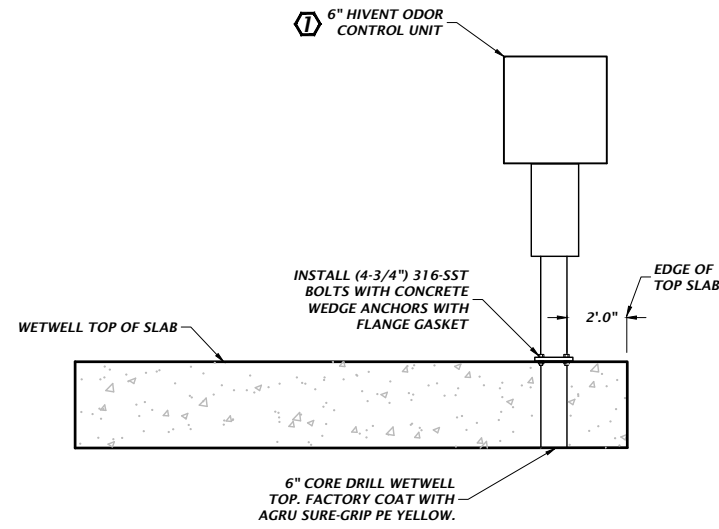
233 PRESSURE GAUGE ASSEMBLY SERVICE CONNECTION
NTS



GENERAL NOTE(S):

- PRESSURE GAUGE ASSEMBLY INCLUDES ASHCROFT 1279 PLUS! GAUGE.
- SEE SUPPLEMENT 2 OF COA DESIGN AND CONSTRUCTION MANUAL FOR ASSEMBLY SPECIFICATIONS.
- SEE (233) FOR SERVICE CONNECTION

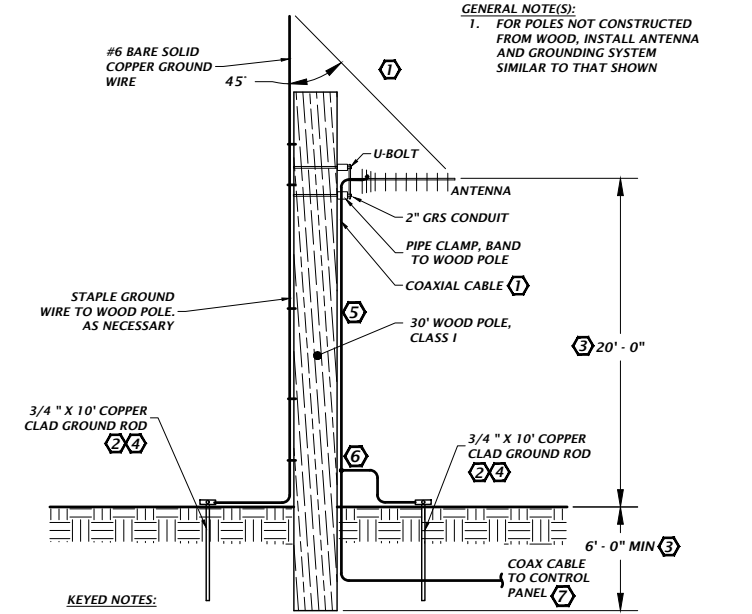
236 PRESSURE GAUGE ASSEMBLY
NTS



KEYED NOTE(S):

- PROVIDE TWO 1-GALLON CONTAINERS OF ODOR NEUTRALIZING LIQUID

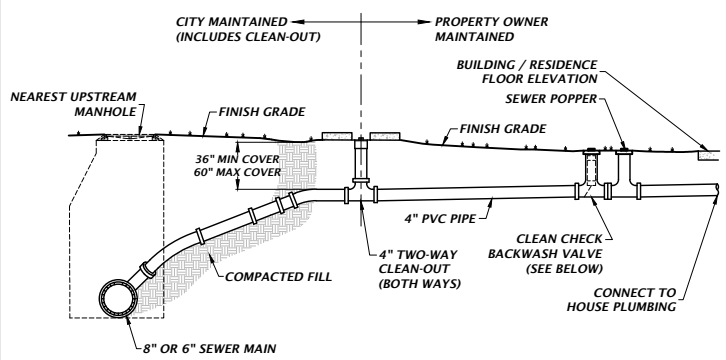
239 VENT / ODOR CONTROL UNIT INSTALLATION
NTS



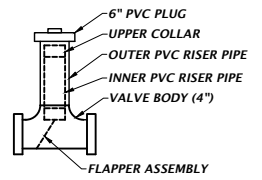
KEYED NOTES:

- SECURE COAX CABLE USING CABLE CLAMP: POLYETHYLENE "KINDORF CABLE CLEAT" OR EQUAL, LAG BOLT CLAMP TO WOOD POLE. CONTRACTOR TO ROUTE COAX CABLE TO PANEL, UNLESS SHOWN OTHERWISE.
- DRIVE GROUND ROD TO 10' MIN
- POLE HEIGHT AND POLE DEPTH SITE SPECIFIC. COORDINATE WITH CITY.
- ALTERNATIVELY CONNECT TO SITE GROUNDING LOOP.
- FASTEN COAX CABLE TO POLE BY METHOD APPROVED BY COA.
- GROUND COAX CABLE BY MEANS OF STANDARD COAX CABLE KIT - TESSCO OR EQUAL. SELECT CONDUCTOR LENGTH SUITABLE FOR APPLICATION.
- JUST PRIOR TO CONTROL PANEL ENTRY, ADDITIONALLY GROUND COAX CABLE BY MEANS OF STANDARD COAX CABLE GROUND KIT - TESSCO OR EQUAL. SELECT CONDUCTOR LENGTH SUITABLE FOR APPLICATION.

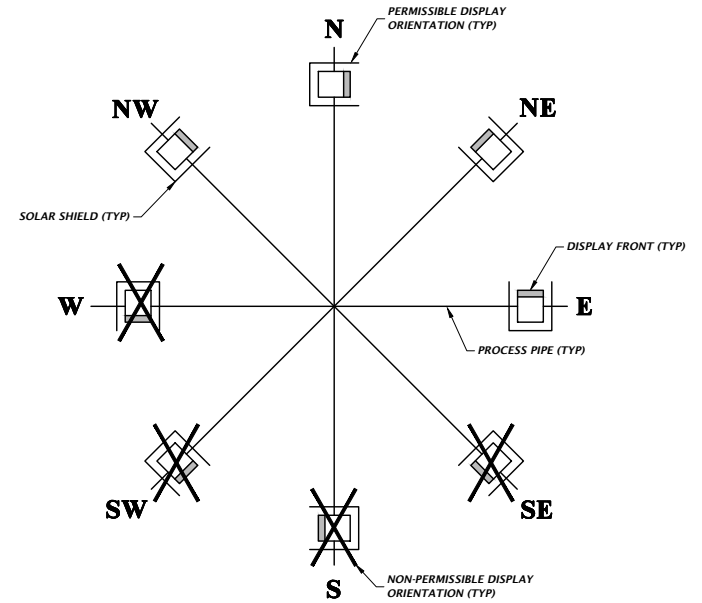
240 TYPICAL ANTENNA POLE INSTALLATION
NTS



GENERAL NOTE:
A. USE THIS DETAIL WHEN FLOOR ELEVATION IS LESS THAN 6" ABOVE RIM ELEVATION OF NEAREST UPSTREAM MANHOLE.
B. SEE (200) FOR DETAILS FROM SEWER MAIN TO AND INCLUDING CLEAN-OUT.



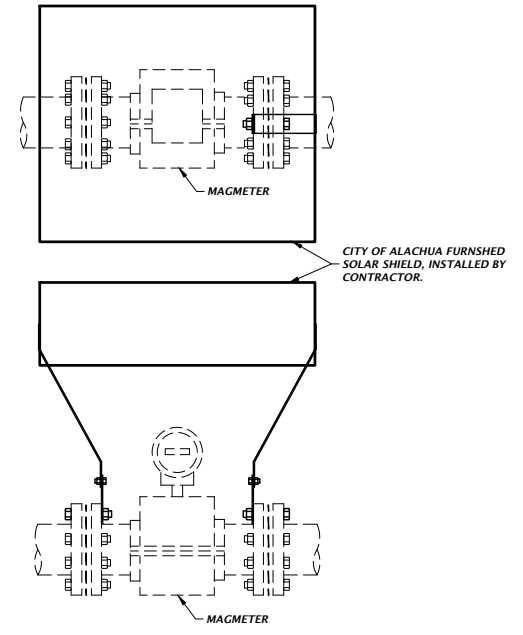
242 WASTEWATER SERVICE LATERAL, PRIVATE, LOW-LYING BUILDING/ RESIDENCE
NTS



NOTES:

- INSTALL MAGMETER SO ITS DISPLAY FACES EITHER DUE NORTH, PARTIAL NORTH, OR DUE EAST.
- CONTRACTOR SHALL INSTALL THE SUN SHADE, FURNISHED BY CITY OF ALACHUA. COORDINATE. SEE (248)

245 MAGMETER INSTALLATION PERMISSIBLE DISPLAY ORIENTATION
NTS



NOTES:

- CITY OF ALACHUA WILL FURNISH THE SOLAR SHIELD, WHICH SHALL BE INSTALLED BY THE CONTRACTOR.
- SOLAR SHIELD SHOWN IS A PROTOTYPE. CITY OF ALACHUA EXPECTS TO CHANGE THE DESIGN.
- SEE (245) FOR PERMISSIBLE ORIENTATIONS OF MAGMETER DISPLAY.
- CITY WILL CONSIDER ALTERNATIVE SOLAR SHIELDS PROPOSED BY CONTRACTOR.

248 SOLAR SHIELD FOR MAGMETER TRANSMITTER DISPLAY
NTS

02E WASTEWATER DETAILS - SEE (151) FOR ABBREVIATIONS