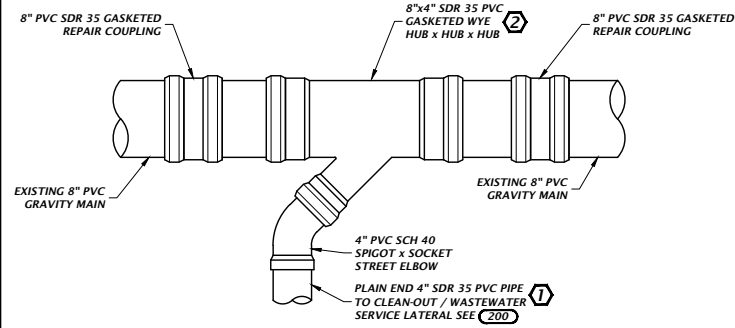


GENERAL NOTES:
 A. CUT AND REMOVE SEGMENT OF EXISTING CLAY PIPE.
 B. INSTALL WYE. FASTEN WITH STRONG-BACK COUPLING.
 C. CLEAN AND SOLVENT WELD ALL SOCKET FITTINGS.
 D. IF BELL PRESENT, CENTER INSTALLATION ON BELL THEN REMOVE BELL.

KEYED NOTES:
 ① CONNECT PIPE TO BOTTOM OF CLEAN-OUT. DO NOT CONNECT PIPE TO RISER SECTION OF CLEAN-OUT.
 ② INSTALL WYE SO ITS BRANCH IS 45° ABOVE HORIZONTAL.
 ③ INCLUDES CLAMP AND SHEAR RING.

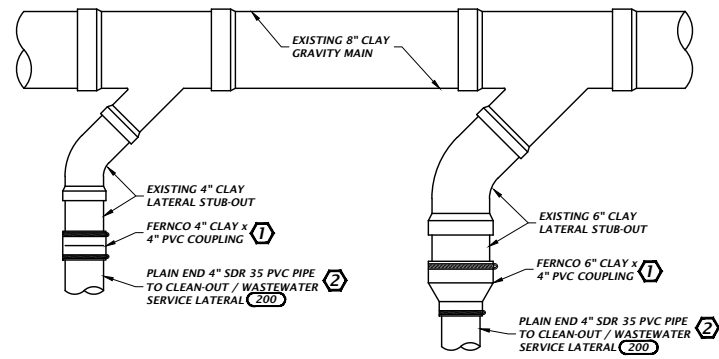
251 INSTALLING SERVICE LATERALS IN EXISTING CLAY GRAVITY WASTEWATER MAINS
NTS



GENERAL NOTES:
 A. CUT AND REMOVE SEGMENT OF EXISTING PVC PIPE.
 B. INSTALL WYE. FASTEN WITH GASKET REPAIR COUPLING.
 C. CLEAN AND SOLVENT WELD ALL SOCKET FITTINGS.
 D. IF BELL PRESENT, CENTER INSTALLATION ON BELL THEN REMOVE BELL.

KEYED NOTES:
 ① CONNECT PIPE TO BOTTOM OF CLEAN-OUT. DO NOT CONNECT PIPE TO RISER SECTION OF CLEAN-OUT.
 ② INSTALL WYE SO ITS BRANCH IS 45° ABOVE HORIZONTAL.

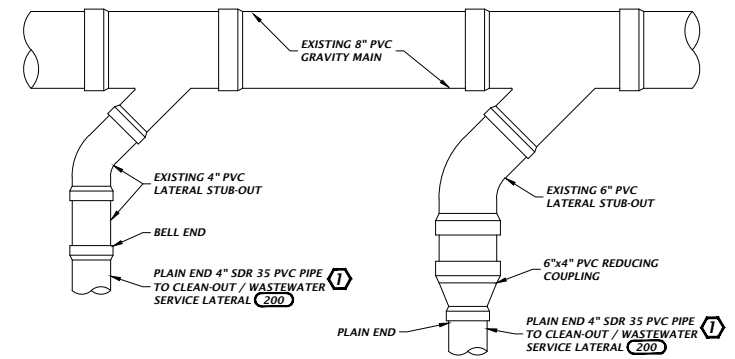
254 INSTALLING SERVICE LATERALS IN EXISTING PVC SDR 35 GRAVITY WASTEWATER MAINS
NTS



GENERAL NOTES:
 A. REMOVE EXISTING PLUGS FROM EXISTING STUB-OUTS.
 B. IT IS ASSUMED THAT EXISTING LATERAL STUB-OUTS ARE INSTALLED AT 45° ABOVE HORIZONTAL. IF NOT, CONTACT THE ENGINEER OR CITY.
 C. CLEAN EXISTING STUB-OUT AND NEW PIPE PRIOR TO INSTALLING COUPLING.

KEYED NOTES:
 ① INCLUDES CLAMP AND SHEAR RING.
 ② CONNECT PIPE TO BOTTOM OF CLEAN-OUT. DO NOT CONNECT PIPE TO RISER SECTION OF CLEAN-OUT.

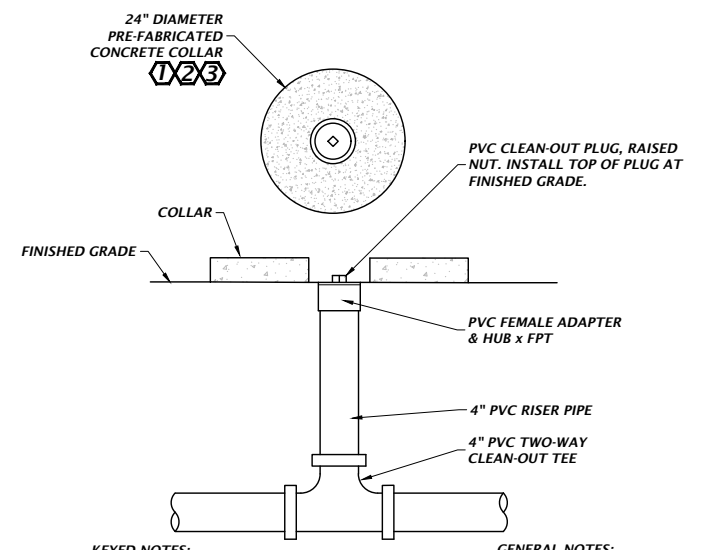
257 INSTALLING SERVICE LATERALS TO EXISTING CLAY STUB-OUTS
NTS



GENERAL NOTES:
 A. REMOVE EXISTING CAPS FROM EXISTING STUB-OUTS.
 B. IT IS ASSUMED THAT EXISTING LATERAL STUB-OUTS ARE INSTALLED AT 45° ABOVE HORIZONTAL. IF NOT, CONTACT THE ENGINEER OR CITY.
 C. CLEAN EXISTING STUB-OUT AND NEW PIPE PRIOR TO SOLVENT WELDING.
 D. SOLVENT WELD ALL PVC CONNECTIONS.

KEYED NOTES:
 ① CONNECT PIPE TO BOTTOM OF CLEAN-OUT. DO NOT CONNECT PIPE TO RISER SECTION OF CLEAN-OUT.

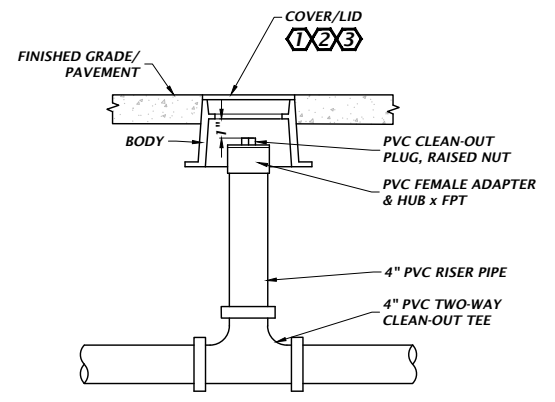
260 INSTALLING SERVICE LATERALS TO EXISTING PVC STUB-OUTS
NTS



KEYED NOTES:
 ① COLLAR FEATURES:
 • 24" DIAMETER, 11" INNER OPENING
 • 4" THICK
 • TWO RINGS OF #3 REBAR
 • 4000 PSI TEST CONCRETE
 ② SUPPLIER AND PRODUCT:
 • MASONRY SUPPLY, INC., SELMA, NC OR EQUAL
 • ITEM: 24" CONCRETE VALVE BOX COLLAR OR EQUAL
 • PART: MSVB-24 OR EQUAL
 ③ PAINT COLLAR AS PER 307

GENERAL NOTES:
 I. REFER TO 200

263 CLEAN-OUT COVER FOR UNPAVED AREAS
NTS



KEYED NOTES:
 ① HEAVY DUTY LOAD RATING MODEL: SIGMA CORPORATION CO-2610S
 ② COVER/LID CAN ALSO ACCOMMODATE 6" CLEAN-OUT
 ③ PAINT COVER/LID AS PER 307

GENERAL NOTES:
 A. REFER TO 200

264 CLEAN-OUT COVER FOR DRIVEWAYS/SIDEWALKS
NTS