



- FLOW STREAMS**
- PW — POTABLE WATER
 - WW-FM — WASTEWATER FORCE MAIN
 - WW-GR — WASTEWATER GRAVITY

- LINE LEGENDS**
- - - - - TRACER WIRE
 - - - - - SUBDIVISION BOUNDARY OR PROPERTY LOT BOUNDARY
 - - - - - TRACER WIRE CONNECTOR
 - — — — — GROUND WIRE

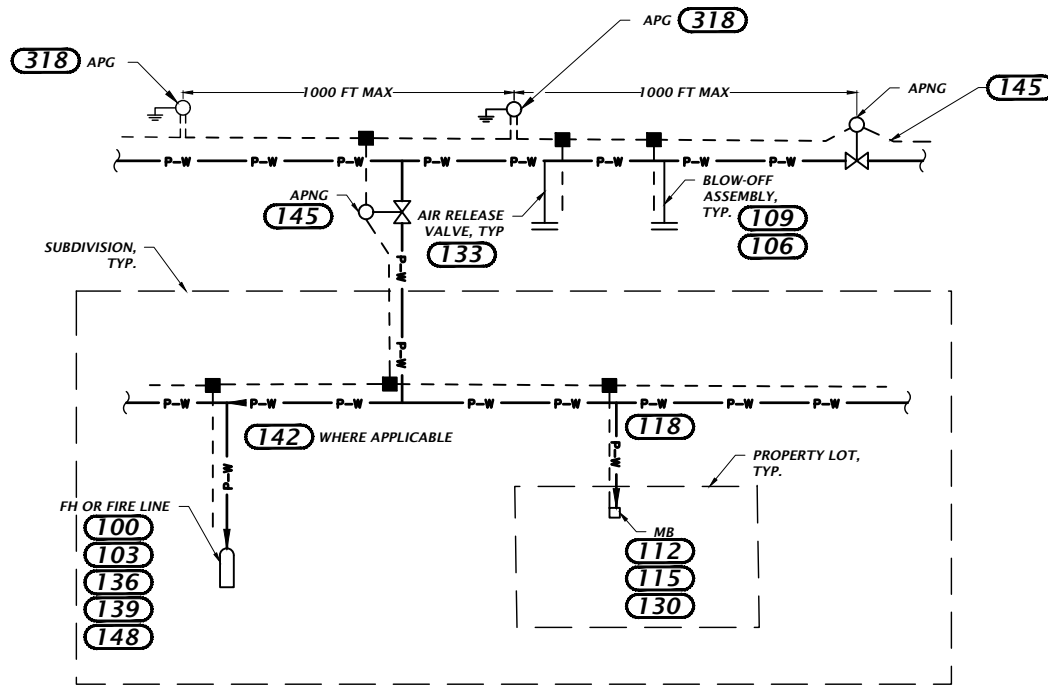
- SYMBOLS**
- APG — ACCESS POINT WITH PROVISIONS TO GROUND TRANSMITTER
 - APNG — GENERAL VALVE WITH VALVE BOX USED AS ACCESS POINT. (NON-GROUNDED)
 - LS — LIFT STATION
 - MB — METER BOX
 - FH — FIRE HYDRANT
 - MH — MANHOLE

GENERAL NOTE(S):

1. RIGHT-OF-WAY AND PUBLIC UTILITY EASEMENTS NOT SHOWN.
2. THESE CONFIGURATION DETAILS DO NOT STAND ALONE. SEE RELATED TRACER WIRE DETAILS.
3. TRACER WIRE CONNECTORS SHALL BE PRO-LINE TRACER-LOCK CONNECTORS, PART #TL-LUG-SS.
4. TRACER WIRE REQUIRED FOR BOTH DUCTILE IRON AND PVC PIPE.

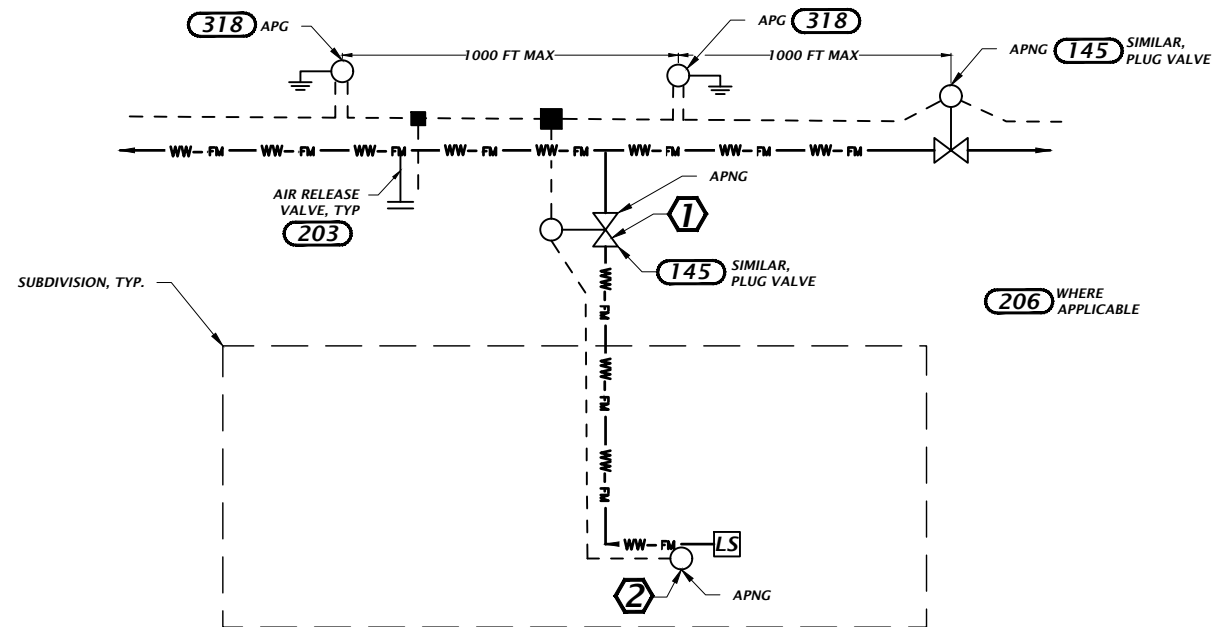
321A

TRACER WIRE CONFIGURATION: LEGENDS AND ABBREVIATIONS
NTS



321B

POTABLE (OR RECLAIMED) TRACER WIRE CONFIGURATION
NTS



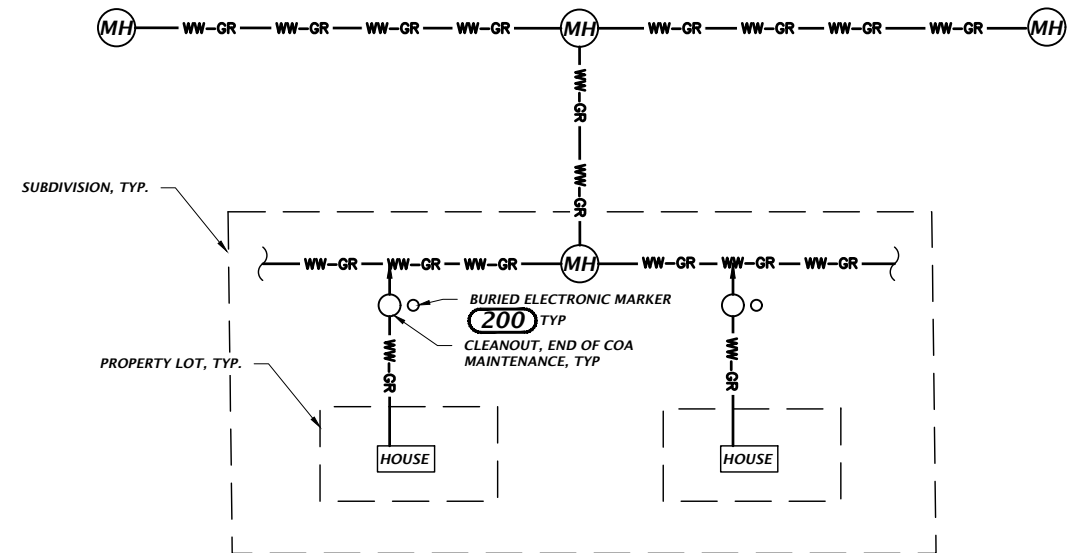
GENERAL NOTES: SEE 321A

KEYED NOTE(S):

- ① IF NO VALVE, THEN INSTALL AN APG, SIMILAR TO 318.
- ② PROVIDE APG (GROUNDING NOT REQUIRED) IF DISCHARGE VALVE IS ABOVE GRADE. INSTALL SIMILAR TO 318. IF DISCHARGE VALVE IS IN A VAULT, THEN PROVIDE ENOUGH TRACER WIRE SO IT CAN EXTEND 8-INCHES ABOVE VAULT COVER.

321C

WASTEWATER FORCE MAIN TRACER WIRE CONFIGURATION
NTS



GENERAL NOTES:

1. TRACKER WIRE NOT REQUIRED FOR GRAVITY WW PIPE.
2. AT EACH CLEANOUT, PROVIDE A BURIED ELECTRONIC MARKER.

ADDITIONAL GENERAL NOTES: SEE 321A

321D

WASTEWATER GRAVITY SYSTEM BURIED ELECTRONIC MARKER.
NTS