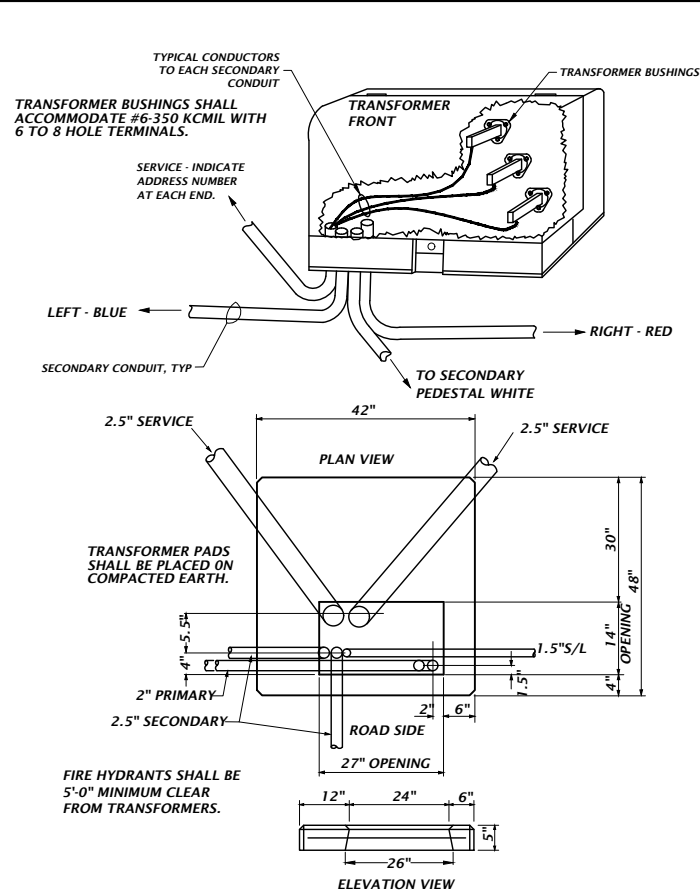




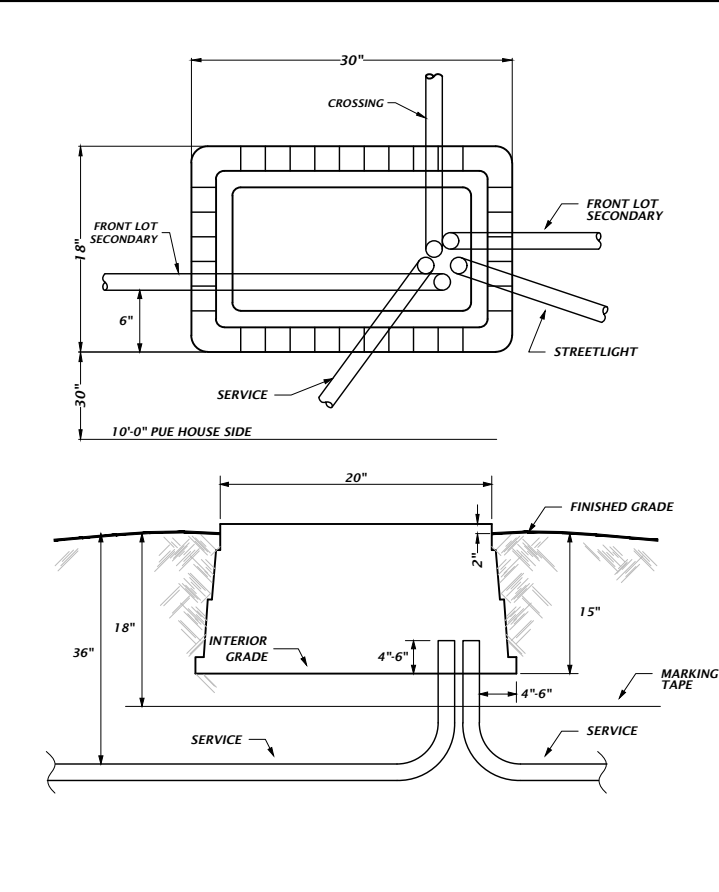
ELECTRICAL UTILITIES LEGEND AND ABBREVIATIONS

- 50a TRANSFORMER ON CONCRETE PAD, 50 KVA PHASE a, 120/240 VOLT SINGLE PHASE SECONDARY.
- 1/0 AL PRIMARY CABLE, IN 2" PVC AT 48" MIN. COVER.
- 4/0 AL TPX SECONDARY CABLE, IN 2.5" PVC AT 36" MIN. COVER.
- 6/3 AL TPX SECONDARY STREETLIGHT CABLE, IN 1.5" PVC AT 36" MIN. COVER.
- 12/2 WITH GROUND, IN 1.5" PVC AT 36" MIN. COVER.
- JUNCTION BOX
- SE SERVICE ENCLOSURE, BURIED, APPROXIMATELY 33" X 20" X 15" DEEP.
- 80W 30' 80 WATT LED CUTOFF LUMINAIRE ON 30' FIBERGLASS POLE (25' MOUNTING HT) WITH 4' ARM.
- 10" ROUND BURIED STREETLIGHT WIRING ENCLOSURE APPROXIMATELY 10" DIAMETER X 12" DEEP HIGH DENSITY POLYETHYLENE.
- SW 600 AMP PAD MOUNTED SWITCHGEAR. DOORS INDICATE SOURCE AND LOAD SIDES.
- PME PAD MOUNTED EQUIPMENT
- PUE PUBLIC UTILITY EASEMENT
- PVC POLYVINYL CHLORIDE
- CT CURRENT TRANSFORMER
- R/W RIGHT OF WAY
- COA CITY OF ALACHUA
- NEC NATIONAL ELECTRIC CODE
- NESC NATIONAL ELECTRIC SAFETY CODE

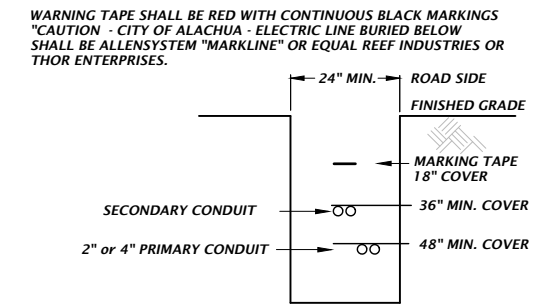
ELECTRICAL UTILITIES LEGEND AND ABBREVIATIONS NTS



501 SINGLE-PHASE TRANSFORMER AND PAD NTS



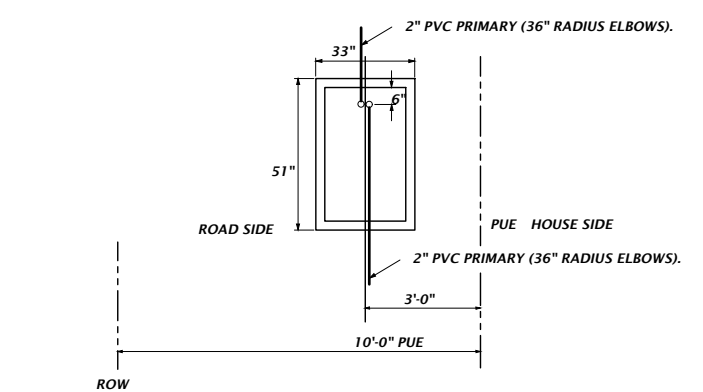
503 SERVICE ENCLOSURE NTS



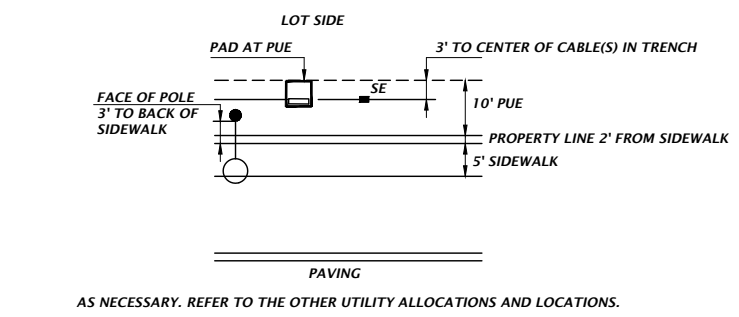
506 TYPICAL CONDUIT TRENCH NTS

- NOTES: 1. CONTRACTOR SHALL CHECK FOR CONFLICTS AND MAKE ADJUSTMENTS AS NECESSARY. REFER TO THE OTHER UTILITY ALLOCATIONS AND LOCATIONS.
2. CONTRACTOR SHALL COORDINATE WITH COA DURING CONSTRUCTION.

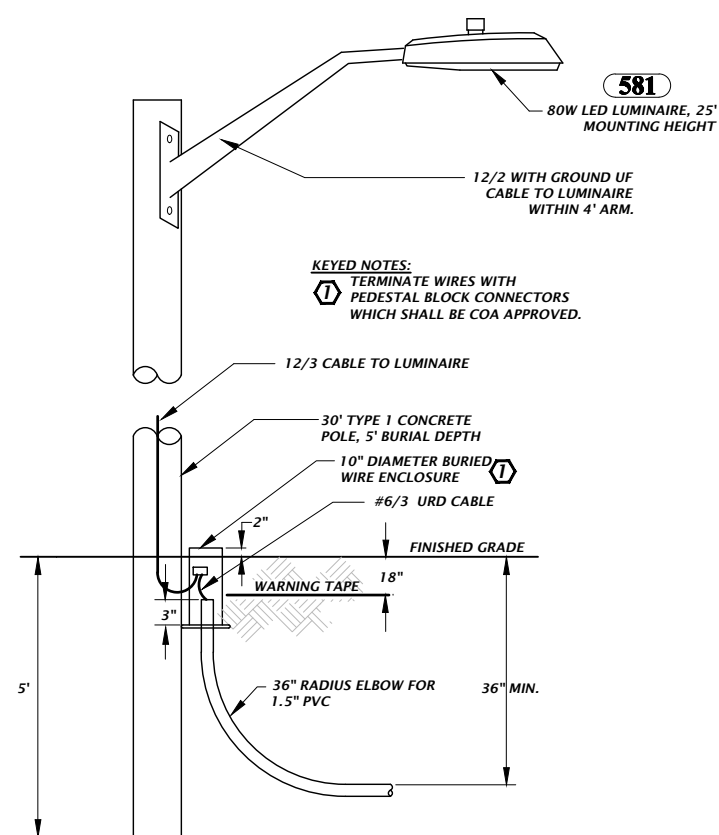
500



509 JUNCTION BOX NTS

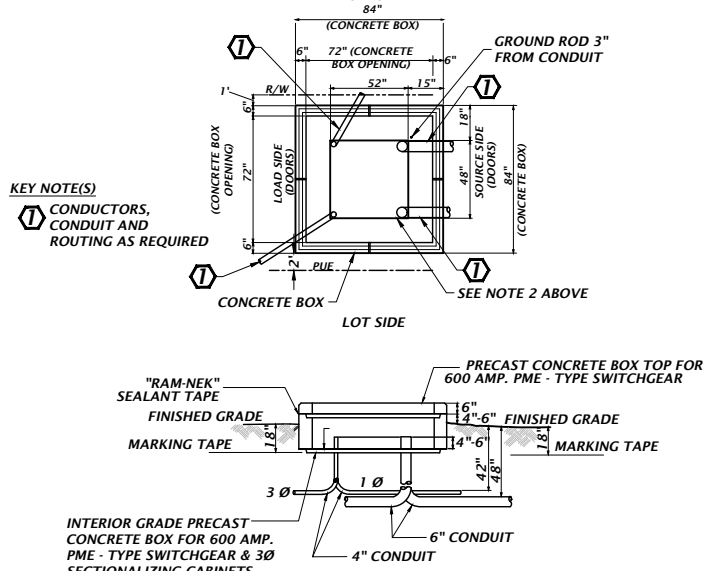


512 TYPICAL ELECTRIC UTILITY ALLOCATION NTS



515 STREETLIGHT NTS

- GENERAL NOTE(S):
- ALL CONDUIT FURNISHED AND INSTALLED BY OWNER. CONDUIT SHALL BE INSTALLED WITH ONE PIECE OF CONTINUOUS PRE-LUBRICATED WOVEN POLYESTER PULL TAPE WITH PRINTED SEQUENTIAL FOOTAGE MARKINGS.
 - THIS 48" X 52" (NOTE LOCATION OF FUSE AND SWITCH SIDES OF SWITCHGEAR) AREA WILL BE LOCATED IN THE FIELD AND USED TO INSTALL CONDUIT BEFORE THE CONCRETE BOX IS INSTALLED.
 - DO NOT CUT OFF ELBOWS.
 - FOR 4" CONDUIT A 48" RADIUS ELBOW IS REQUIRED. FOR LESS THAN 4" CONDUIT, 36" RADIUS ELBOW IS REQUIRED.



518 TYPICAL 600 AMP. PME 9 & SOURCE TRANSFER PME 9, SWITCHGEAR AND SECTIONALIZING CABINET (SC) & 3Ø CONDUIT LAYOUT NTS

05A ELECTRICAL DETAILS - SEE (151) FOR ABBREVIATIONS