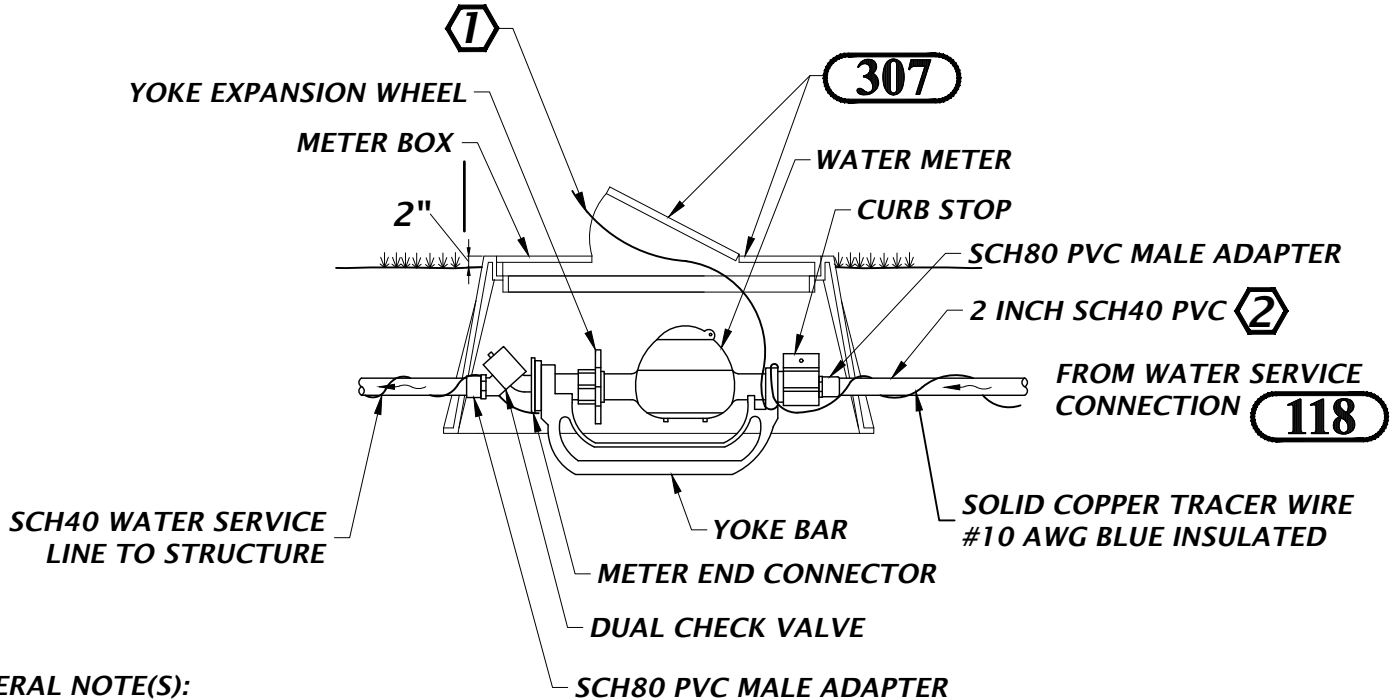


PROPERTY OWNER MAINTAINED | CITY MAINTAINED

INSTALL TEMPORARY PROTECTIVE FENCE - SEE GENERAL NOTE A.



GENERAL NOTE(S):

A. DURING CONSTRUCTION, PROVIDE TEMPORARY PROTECTIVE FENCE AROUND METER AS PER **324.**

B. CONNECT TRACER WIRES WITH PRO-LINE TRACER-LOCK CONNECTORS. PART # TL-LUG-SS.

KEYED NOTE(S):

1 PROVIDE ENOUGH TRACER WIRE SO IT CAN EXTEND AT LEAST 8-INCHES ABOVE METER BOX.

2 PROVIDE 2x1 (or 3/4) INCH REDUCING BUSHING SCH 80 PVC SPIGOT X SOCKET TO CONNECT TO CURB STOP.

115

3/4" AND 1" WATER METER ASSEMBLY
NTS

