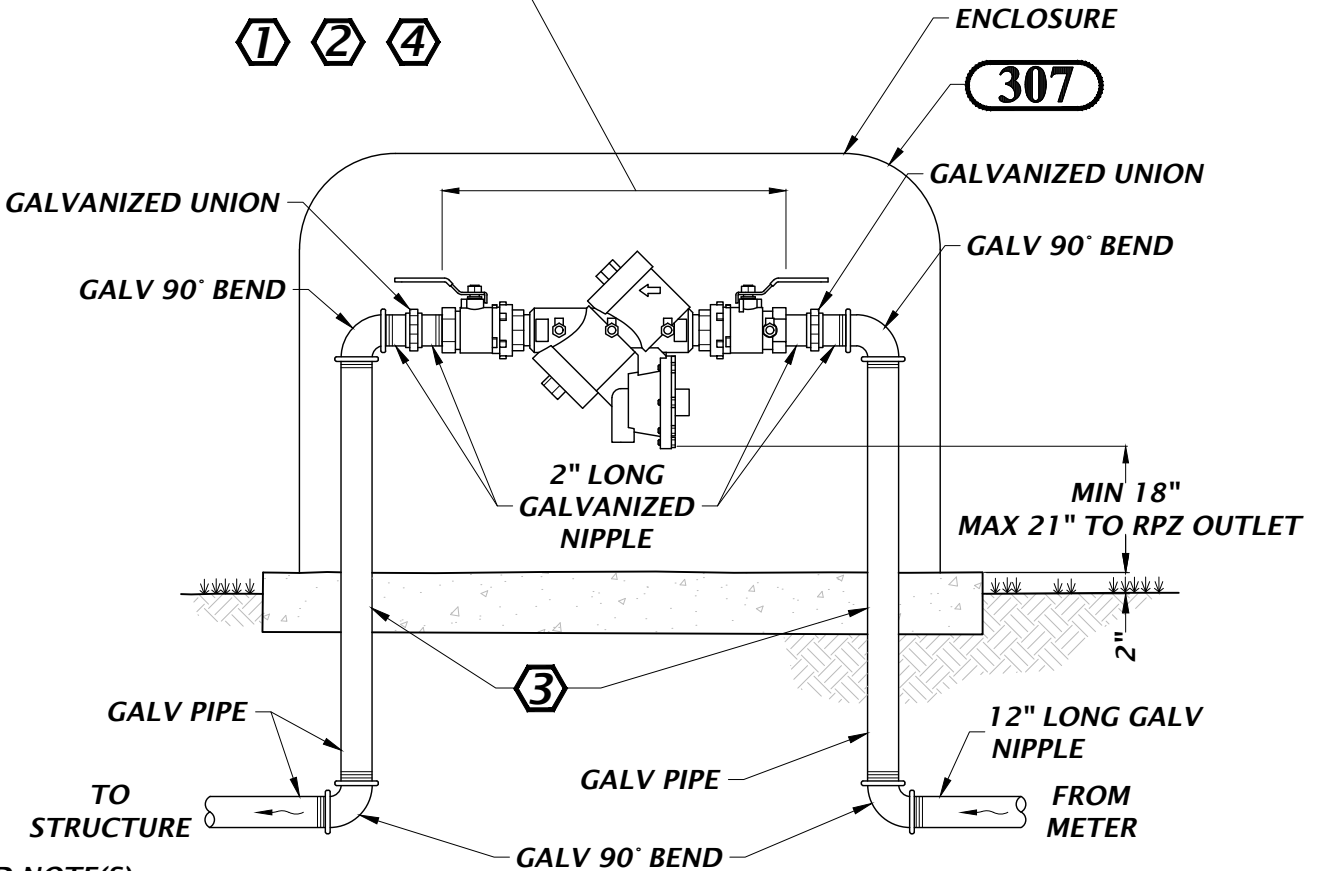


**REDUCED PRESSURE BACKFLOW PREVENTER
ASSEMBLY WITH BACKFLOW PREVENTION
ASSEMBLY ENCLOSURE**



KEYED NOTE(S):

- ① **PROVIDE BACKFLOW PREVENTION ASSEMBLY ENCLOSURE. COORDINATE WITH VENDOR TO SELECT ENCLOSURE SIZE SUITABLE FOR INSTALLED BACKFLOW PREVENTER ASSEMBLY.**
- ② **ENCLOSURE VENDOR AND FEATURES:**
 - MARINE GRADE ALUMINUM
 - 1.5 INCH INSULATION, 9.0 R VALUE
 - MEANS TO ACCESS ASSEMBLY
 - LOCKABLE
 - MOUNTING HARDWARE
 - COLOR: TAN, UNLESS OTHERWISE NOTED.
 - VENDORS: SAFE T COVER, NASHVILLE, TN; OR EQUAL
- ③ **POUR CONCRETE PAD WITH DIMENSIONS AS PER VENDOR'S RECOMMENDATIONS. MINIMUM THICKNESS OF 4 INCHES.**
 - PROVIDE SLEEVES AROUND PIPING
- ④ **BACKFLOW PREVENTER FURNISHED, INSTALLED AND MAINTAINED BY PROPERTY OWNER, NOT COA.**

121

**3/4" TO 2" BACKFLOW PREVENTER
AND ENCLOSURE
NTS**