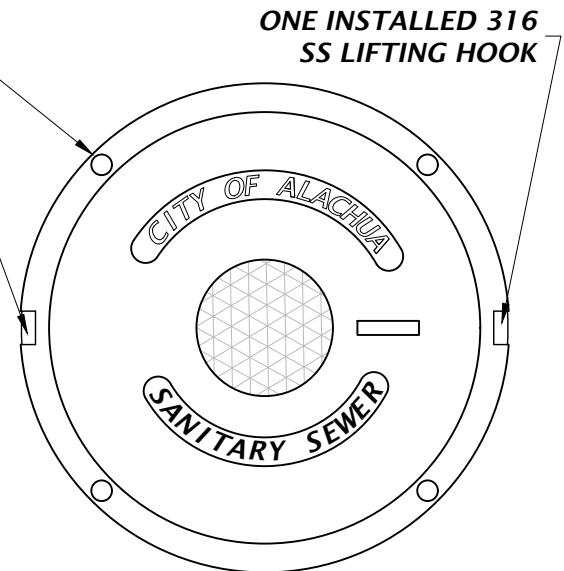


ELEVATION

FRAME AND COVER SECTION WITH COVER SHOWN REMOVED FROM FRAME (ALL DIMENSIONS ARE NOMINAL)

FOUR 316 SS HEAD FASTENERS
TWO CONCEALED PICK HOLE(S) 316 SS INSERTS INSTALLED



COVER PLAN

KEYED NOTE(S):

① FOR A 72-INCH DIAMETER MANHOLE IN A TYPE 2 APPLICATION, PROVIDE A 36-INCH MANHOLE COVER. ADJUST PRODUCT CODE.

GENERAL NOTE(S):

1. **MATERIALS: COMPRESSION MOLDED THERMOSET COMPOSITE - NO METAL REINFORCEMENT.**
2. **316 SST HARDWARE.**
3. **PASSES M306 H20/H25 PROOF LOAD.**
4. **DETECTABLE BY STANDARD METAL DETECTORS.**
5. **WATER TIGHT**
6. **MANUFACTURER AND PRODUCT:
 COMPOSITE ACCESS PRODUCTS;
 MODEL: CAP ONE;
 PRODUCT CODE:
 A-1BK24X4-C02DMDSS-H1**

PRODUCT CODE CLASSIFICATIONS:

- A = ASSEMBLY**
- 1 = CAP ONE**
- BK = BLACK**
- 24 = 24-INCH CLEAR OPENING**
- X4 = 4 BOLTS WITH 5/8" HEX HEAD**
- C02 = "CITY OF ALACHUA" TOP ARCH**
- DMD = BLANK DIAMOND TREAD**
- SS = "SANITARY SEWER" BOTTOM ARCH**
- H1 = ONE LIFTING HOOK**

213

**COMPOSITE SANITARY SEWER
 MANHOLE FRAME AND COVER
 NTS**

