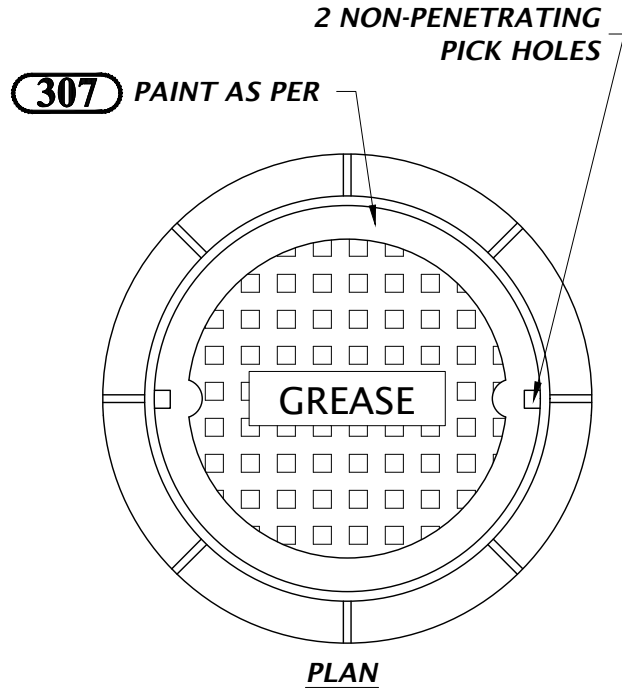


ELEVATION



GENERAL NOTE:

1. MATERIAL: ASTM-A48 CLASS 30B GRAY IRON.
2. RING WT: 150 LBS. APP.
3. COVER WT: 130 LBS. APP.

230

RING AND COVER
NTS

