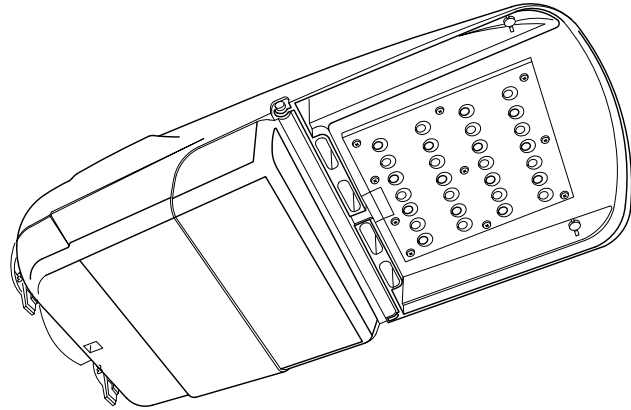




**CITY OF ALACHUA**

**ELECTRIC SYSTEM  
APPROVED MATERIALS**

**LIGHT, STREET, LED 80W**



**DESCRIPTION**

**LED STREET LIGHT**

**VOLTAGE: 120/277, 50/60Hz**

**LENS TYPE: GLASS**

**COLOR: GREY**

**MATERIALS: ALUMINUM**

**WATTAGE: 80-100 WATT**

<b>MANUFACTURER</b>	<b>CAT. NO.</b>	<b>STK. NO.</b>
<b>80 WATT-LED HOWARD LIGHTING</b>	<b>L402L-80-40K-T2-10-GRM</b>	<b>1813</b>
<b>80 WATT-LED EATON LIGHTING</b>	<b>VERD-S-CA1-80-740-U-T2-AP-10K-PR</b>	
<b>80 WATT-LED CREE LIGHTING</b>	<b>TRVMD-A-HT-2ME-10L-40K7-UL-GY-N</b>	

**PAGE LL-8.10**

**581**

**CITY OF ALACHUA  
LIGHT, STREET, LED 80W**

**NTS**

